

TC01 Latched Side-Turn Alarm Cut-out Installation & Operation Guide

1 Wire Connections

Wire Colour	Vehicle Connection
Black	Power Supply Negative (0V)
Red	Power Supply Positive +12/24Vdc, fused and non-permanent
Pink	Switch In
Green	Alarm In (Turn Signal Positive)
Purple	Output +12/24Vdc Warning: Maximum output current is 1.2A . Use a relay if higher current from switch output for connected devices is required.

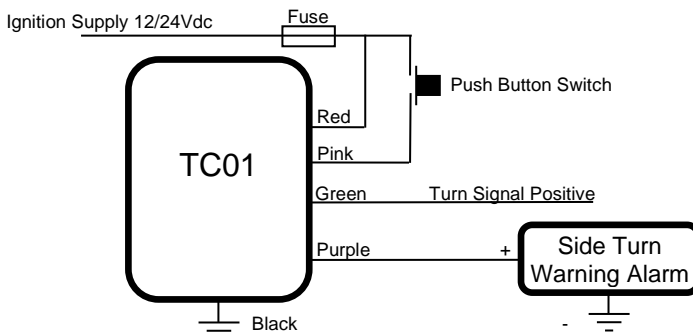
2 Normal Operation

Latched Cut-Out Application

Output supply (+12/24Vdc) to an alarm or other connected device may be interrupted by high switching (+12/24Vdc) on the Switch In trigger. The Output may be re-established by subsequent high switching (+12/24Vdc) on the Switch In trigger. See Truth table below for detailed operation

TC01 Output Truth Table			
Alarm In (12/24Vdc) (Turn Signal Positive)	Switch In Triggered?	Constant Output (12/24Vdc @ 1.2A Max)	LED Status
ON	NO	ON	Green
ON	First Triggering	OFF	Flashing Red
ON	Second Triggering	ON	Green
OFF	NO	OFF	Red

3 Connection Diagram



4 Specifications

Max. switched power output current	1.2A
Operating voltage range	10Vdc to 32Vdc
Input current	Typ. <0.03A (Switch Power Output off) Max. <1.8A (Switch Power Output on state)
Polarity	Negative ground
Operating temperature range	-40°C to +85°C
Dimensions (without connector)	64mm x 44mm x 16mm
Weight (including connector tail)	approx. 35g
Vehicle mounting	Housing with opening lugs for fixing e.g. with a cable tie
Plug with cable tail, cable length	300mm +/- 20mm

5 Approvals

CE, ECE Regulation No. 10 ("E-marking"), FCC



This device complies with part 15 of the FCC Rules. Operation is subject to the following two conditions: (1) This device may not cause harmful interference, and (2) this device must accept any interference received, including interference that may cause undesired operation. Any change or modifications not expressly approved by the responsible party responsible for compliance could void the user's authority to operate the equipment.

Specifications subject to change. Sous réserve de modifications techniques. Änderungen der technischen Daten vorbehalten. Specifiche soggette a variazioni. Las especificaciones están sujetas a cambios. Wijzigingen in specificaties voorbehouden. As especificações estão sujeitas a alterações. Спецификация может изменяться.

6 Disclaimer

Original Equipment Manufacturer bodybuilder guide or aftermarket installation guide must be followed when installing this product. Failure to comply with this may invalidate the vehicles warranty.

Product must be protected by adequately rated fuse.

7 Substitution for Brigade TCO-47(01)

The TC01 may be used in place of Brigade's TCO-47(01) by following the below connection guide:

Signal	TCO-47(01) wire	TC01 wire
Switch In	Blue	Pink
Alarm In (Turn Signal Positive)	White	Green
Constant Output +12/24Vdc	Yellow	Purple
Power (+12/24Vdc)	Red	Red
GND	Black	Black

The TC01 switches high output only (+12/24Vdc). There is no ground switch function.

